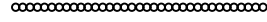


**COUNTY OF SAN MATEO DEPARTMENT
OF**

PUBLIC WORKS



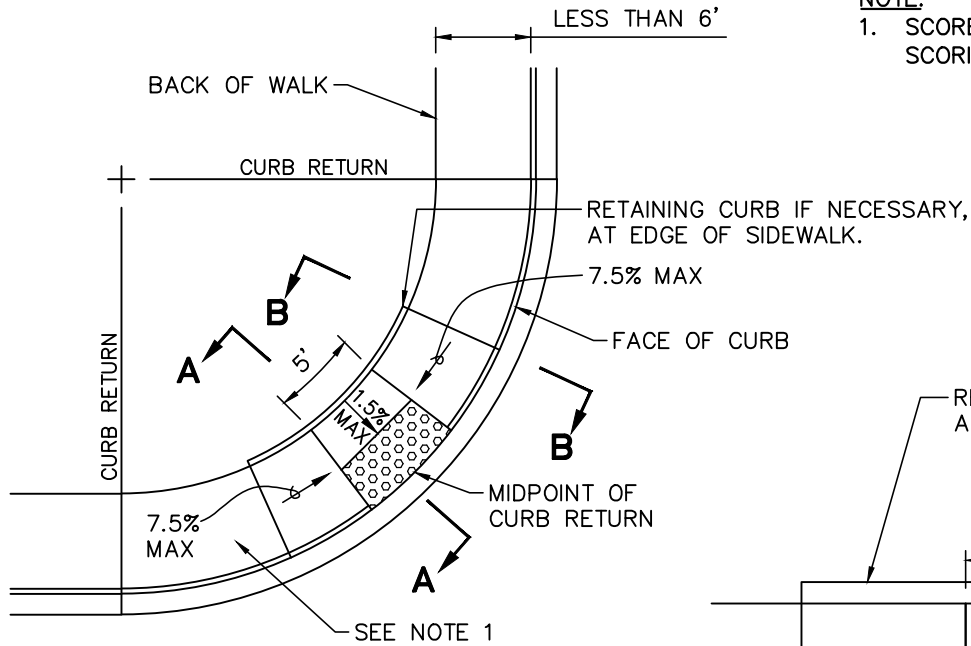
REDWOOD CITY
CALIFORNIA

DRAWN BY: A.Z.
CHECKED BY: K.L.
APPROVED BY: A.M.S.

SCALE: NONE
DATE: 2-2022
REVISED: 2-2022

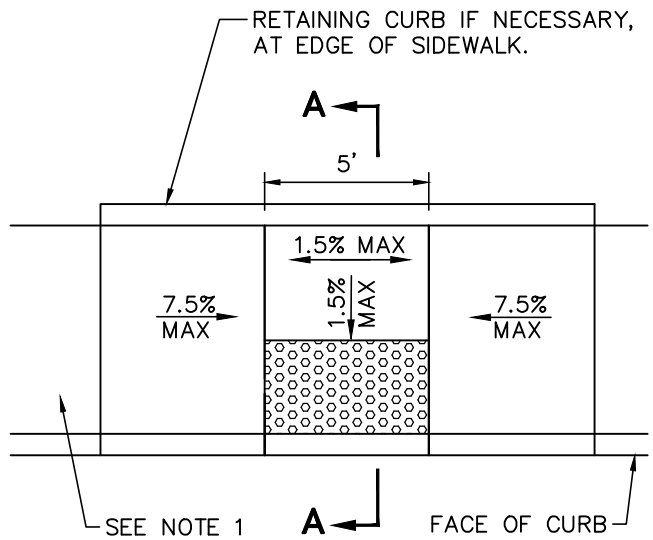
NOTE:

1. SCORE SIDEWALK AREA WITH 1/4" SCORING ON BASIS OF 2.5' SQUARES.



PLAN

ACCESS RAMP ON CURB RETURN



PLAN

ACCESS RAMP ON TANGENT
USE WHEN SIDEWALK IS LESS THAN 6' WIDE

**SIDEWALK ACCESS RAMP
FOR SIDEWALKS LESS THAN 6' WIDE**

(SHEET 1 OF 3)